

CITYSCAPE SERIES

[Rooftop Pedestal Applications]



Cityscape Series 24 x 24 in Frisco and Aspen

ARCHITECTURAL SLABS

Roofs and decks can now be functional, as well as attractive. Utilizing pedestals, our Cityscape Series are designed for constructing raised decks over exterior surfaces such as rooftops, terraces and plazas, in both residential and commercial applications.

 **BASALITE**[®]
Concrete Products



REQUEST SAMPLES

Need product samples? Contact us at
1-800-289-2562 or chris.mock@basalite.com



PEDESTAL SYSTEMS

Raise the deck surface over service pipes and uneven surfaces to create a perfectly level, elevated roof deck.



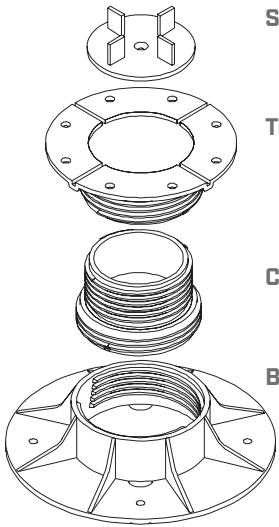
POSITANO

VAIL

ASPEN

FRISCO

RIFLE



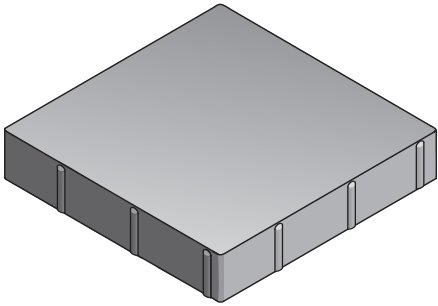
Spacer Tab

Top

Coupler

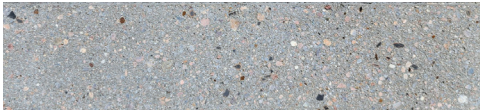
Base

Typical Pedestal



Cityscape 24 x 24

ALSO AVAILABLE IN CUSTOM FINISHES:



Groundface



Shotblast

Name	Metric Units	U.S. Customary Units	Weight	Weight/Sq. Ft.	Units/Pallet	Weight/Pallet
24 x 24	608mm W x 608mm L x 60mm H	23.94" W x 23.94" L x 2.36" H	97 lbs	25 lbs	24	2363

Tested and passed ASTM C 1491-19. SRI Test data available by request.

1801 S Rollie Ave.
Ft. Lupton, CO 80621
303-292-2345

3255 Drennan Road
Colorado Springs, CO 80910
719-390-5477

