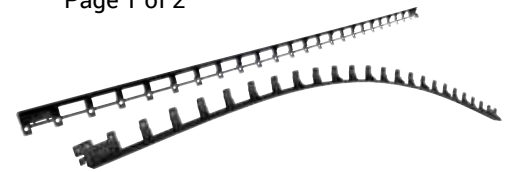




GATOR EDGE RIGID & FLEX
TDS Revision Date (dd/mm/yyyy): 28/11/2021

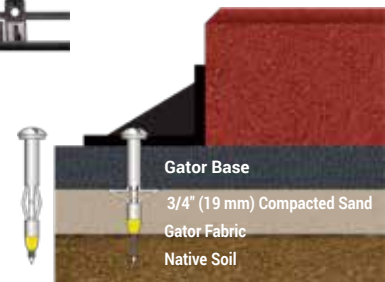


TECHNICAL DATA SHEET

Update: September 28, 2021
Make sure you have an updated data sheet on hand.
Canada and U.S. dial **1-855-847-7767** or (450) 624-1611

Description: **Gator Edge Rigid & Flex** are made with 100% Polypropylene Co-Polymer. This will give it great strength as well as provide great flexibility. We have a Rigid model which is ideal for straight applications and the Flex model that can be used for all curved applications such as walkways, paths, entrances etc. Both the **Rigid and Flex** can be locked together with the "Twist & Lock" system. Finally the Rigid could be transform in a partial Flex by cutting the bridge support between each triangular angles.

- Features:**
- The Flex can connect to the Rigid.
 - Use a "Twist & Lock" connection system.
 - Will not corrode.
 - Easy-to-use.
 - Available in flexible or rigid edges
 - Xtra versatile.
 - Xtra robust system.
 - Xtra support strength.
 - UV resistant.
 - Comes in 8-ft lengths.
 - Use with [Gator Nails](#).
 - Use [Gator Base Screws](#) in [Gator Base](#) application.



For use on: **GATOR EDGE** is an excellent choice to help define alleys, driveways or sidewalks. **GATOR EDGE** is designed for straight or curved installation. It is especially easy to use and quick to install.

INSTALLATION INSTRUCTIONS:

1. It can be installed either before or after the paver installation.
2. Use one 10" nail every second hole and at every "Twist & Lock" junction, this will ensure continuous lateral support. Ensure edges are installed firmly against the pavers on a minimal compacted structural aggregate base of 6" (15 cm) deeper and wider on all sides than the paved area.
3. When using [Gator Base](#), use [Gator Base Screws](#) at every second hole and every Twist & Lock junction to ensure continuous lateral support. Ensure edges are installed firmly against the pavers. The [Gator Base](#) must be 6" (15 cm) wider on all sides than the paved area.

Packaging:

Product

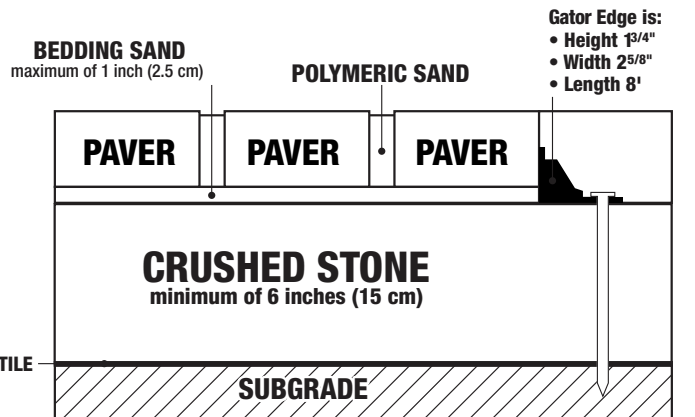
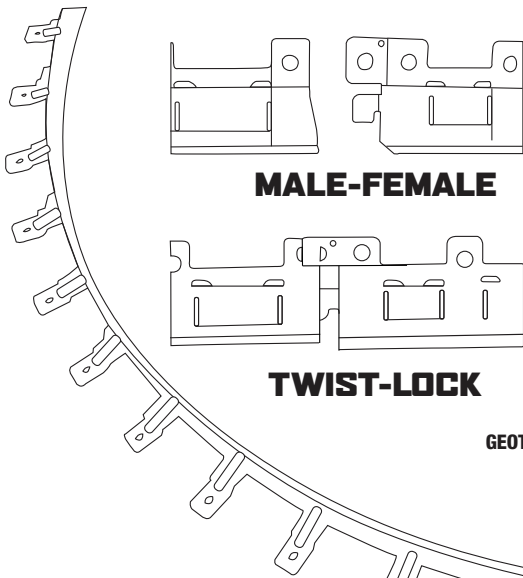
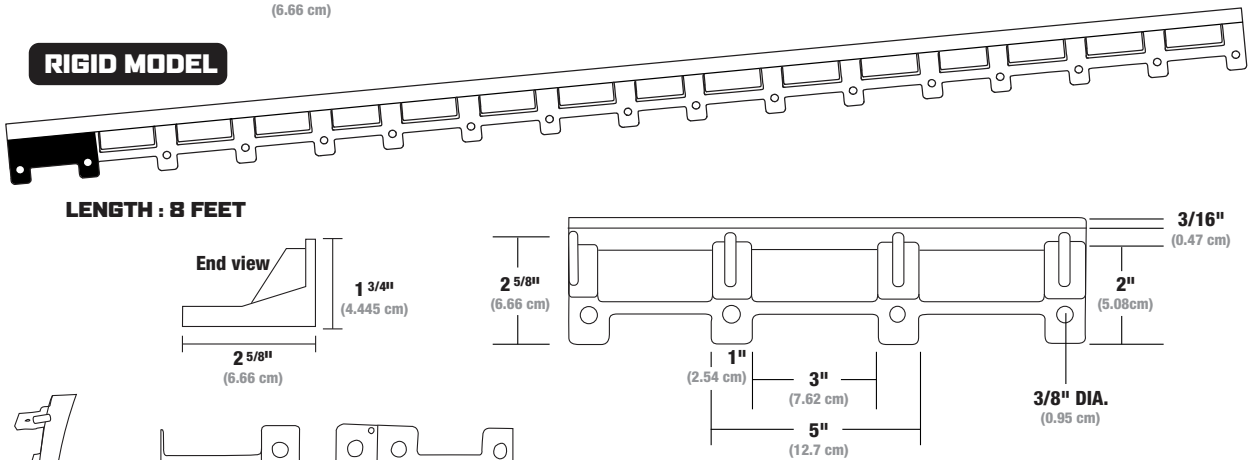
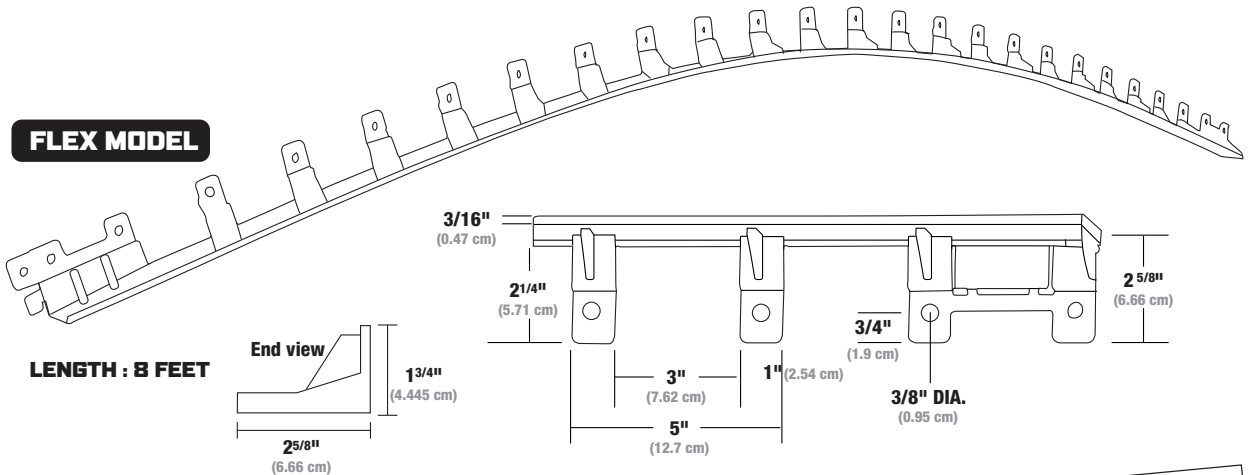
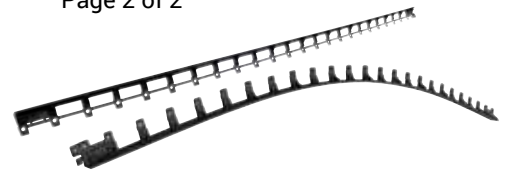
- Gator Edge Flex**
- 1 piece = 8 linear feet
 - 1 Mini-pack = 6 pieces = 48 linear feet
 - 1 Master-pack = 4 Mini-packs = 192 linear feet
 - 1 pallet = 28 Master-packs = 5,376 linear feet
- Gator Edge Rigid**
- 1 piece = 8 linear feet
 - 1 Mini-pack = 6 pieces = 48 linear feet
 - 1 Master-pack = 4 Mini-packs = 192 linear feet
 - 1 pallet = 28 Master-packs = 5,376 linear feet



Alliance Designer Products Inc.
1800 Berlier st. suite 200, Laval, Quebec, Canada H7L 4S4
Tel.: 450 624-1611 Fax : 450 624-1622 Toll free : 1 866-212-1611
www.alliancegator.com - Email : info@alliancegator.com



GATOR EDGE RIGID & FLEX
 TDS Revision Date (dd/mm/yyyy): 28/11/2021



- Gator Edge is:
- Height 1 3/4"
 - Width 2 5/8"
 - Length 8'

GATOR EDGE FLEX CAN CONNECT TO GATOR EDGE RIGID

SEE THE INSTALLATION VIDEO
 ON ALLIANCEGATOR.COM



Alliance Designer Products Inc.
 1800 Berlier st. suite 200, Laval, Quebec, Canada H7L 4S4
 Tel.: 450 624-1611 Fax : 450 624-1622 Toll free : 1 866-212-1611
 www.alliancegator.com - Email : info@alliancegator.com