



Tan



Grey



PROJECT ESTIMATOR

Need a quick estimate? Try our easy to use Wall Estimator. [Go To Estimator](#)



REQUEST SAMPLES

Need product samples? [Contact us at basalite.com](#) or call 1-888-296-3719



TECHNICAL DOCUMENTS

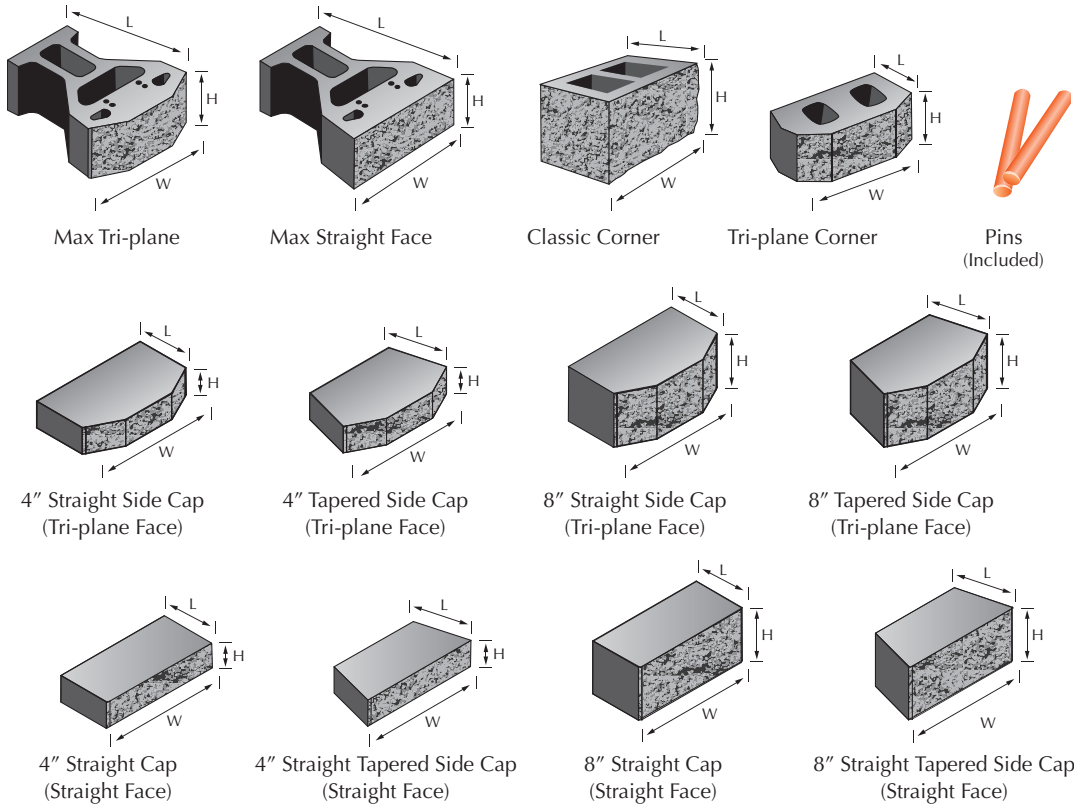
To see specifications, construction details and installation guides [Click Here](#)

HAVE QUESTIONS?

Call 1-888-296-3719 or
[contact us at basalite.com](http://contact.us.at.basalite.com)

GEOWALL™ MAX

Engineered Retaining Wall System



Name	Metric Units	U.S. Customary Units	Weight	Units/Pallet	Face Area/Unit
Max Tri-plane	546mm L x 457mm W x 203mm H	21.5" L x 18" W x 8" H	95 lbs	30	1 SF
Max Straight Face	546mm L x 457mm W x 203mm H	21.5" L x 18" W x 8" H	105 lbs	30	1 SF
Classic Corner	229mm L x 457mm W x 203mm H	9" L x 18" W x 8" H	60 lbs	50	1 SF
Tri-plane Corner	229mm L x 457mm W x 203mm H	9" L x 18" W x 8" H	60 lbs	50	1 SF
Pins (Included)	95mm L x 12.7mm	3.75" L x .50" W	-	-	-
4" Straight Side Cap (Tri-plane Face)	267mm L x 457mm W x 102mm H	10.5" L x 18" W x 4" H	31 lbs	80	1/2 SF
4" Tapered Side Cap (Tri-plane Face)	267mm L x 356/457mm W x 102mm H	10.5" L x 14/18" W x 4" H	31 lbs	80	1/2 SF
8" Straight Side Cap (Tri-plane Face)	267mm L x 457mm W x 203mm H	10.5" L x 18" W x 8" H	75 lbs	50	1 SF
8" Tapered Side Cap (Tri-plane Face)	267mm L x 356/457mm W x 203mm H	10.5" L x 14/18" W x 8" H	75 lbs	50	1 SF
4" Straight Cap (Straight Face)	267mm L x 457mm W x 102mm H	10.5" L x 18" W x 4" H	31 lbs	80	1/2 SF
4" Straight Tapered Side Cap (Straight Face)	267mm L x 356/457mm W x 102mm H	10.5" L x 14/18" W x 4" H	31 lbs	80	1/2 SF
8" Straight Cap (Straight Face)	267mm L x 457mm W x 203mm H	10.5" L x 18" W x 8" H	75 lbs	50	1 SF
8" Straight Tapered Side Cap (Straight Face)	267mm L x 356/457mm W x 203mm H	10.5" L x 14/18" W x 8" H	75 lbs	50	1 SF



355 Greg Street
 Sparks, NV 89431
 775-358-1200

FOLLOW US

