



Torino (Special Order)



Venice (Special Order)



**PATTERNS**

View the laying pattern options for Plank Paver. [Click Here](#)



**REQUEST SAMPLES**

Need product samples? [Contact us at basalite.com](#) or call 1-800-473-4080.



**TECHNICAL DOCUMENTS**

To see case studies, specifications and paver cross sections [Click Here](#)

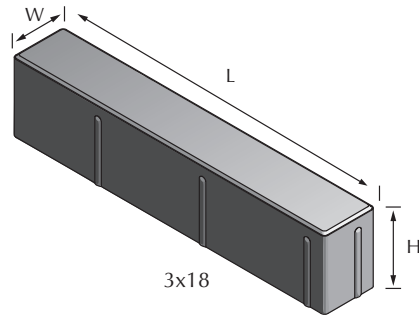


# HAVE QUESTIONS?

Call 1-800-473-4080 or  
[contact us at basalite.com](http://contact.us.at.basalite.com)

# PLANK PAVER

Interlocking Paving Stones



| NAME | METRIC SIZE       | U.S. SIZE          | HEIGHT | APPLICATIONS | ARCHITECTURAL FINISHES |             |            |                        |          | CHAMFER WIDTH | SQ.FT./ PALLET |    |
|------|-------------------|--------------------|--------|--------------|------------------------|-------------|------------|------------------------|----------|---------------|----------------|----|
|      |                   |                    |        |              | STANDARD               | GROUND FACE | SHOT BLAST | SHOT BLAST GROUND FACE | TUMBLLED |               |                |    |
| 3x18 | 138mm W x 448mm L | 2.87" W x 17.64" L | 100mm  |              | x                      |             |            |                        |          |               | 3mm            | 60 |

For design consideration add 1.5mm or .06" to the W and L dimensions to allow for the spacers.



**PEDESTRIAN**  
 Indicates product is suitable for projects with pedestrian use.



**LIGHT-DUTY VEHICULAR**  
 Indicates product is suitable for light-duty vehicular projects like driveways and parking stalls.



**COMMERCIAL VEHICULAR**  
 Indicates product is suitable for commercial vehicular projects like parking lots and roadways.



1300 East Franklin Road  
 Meridian, ID 83642  
 208-888-4050

FOLLOW US

