



Customize products to suit your project. Basalite can create a custom hue just for you or select a paver color from our palette designed specifically for architects and designers.

[SEE COLORS](#)



FINISHES & PATTERNS

Customize products to suit your project. To see patterns, specialty aggregates and finishes. [Click Here](#)



REQUEST SAMPLES

Need product samples? [Contact us at basalite.com](#) or call 1-888-296-3719



TECHNICAL DOCUMENTS

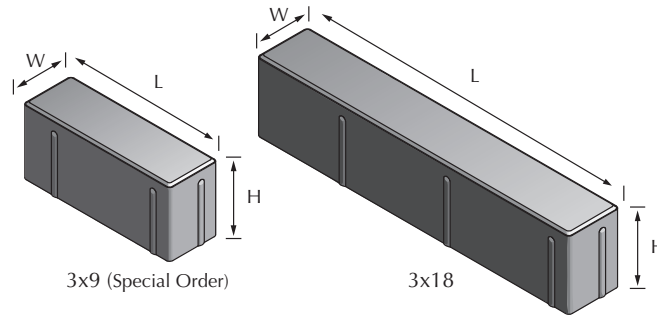
To see case studies, specifications and paver cross sections [Click Here](#)

HAVE QUESTIONS?

Call 1-888-296-3719 or
[contact us at basalite.com](http://contact.us@basalite.com)

PLANK PAVER

Interlocking Paving Stones



NAME	METRIC SIZE	U.S. SIZE	HEIGHT	APPLICATIONS	ARCHITECTURAL FINISHES					CHAMFER WIDTH	SQ.FT./PALLET
					STANDARD	GROUND FACE	SHOT BLAST	SHOT BLAST GROUND FACE	TUMBLED		
3x9	73mm W x 223mm L	2.87" W x 8.78" L	100mm	x x x*	x	x	x	x		3mm	75.6
3x18	138mm W x 448mm L	2.87" W x 17.64" L	100mm	x	x	x	x	x		3mm	60

For design consideration add 1.5mm or .06" to the W and L dimensions to allow for the spacers.

*Ideal size/thickness for pavements designed to handle heavy vehicles such as transports, buses and fire trucks.



PEDESTRIAN

Indicates product is suitable for projects with pedestrian use.



LIGHT-DUTY VEHICULAR

Indicates product is suitable for light-duty vehicular projects like driveways and parking stalls.



COMMERCIAL VEHICULAR

Indicates product is suitable for commercial vehicular projects like parking lots and roadways.



355 Greg Street
 Sparks, NV 89431
 775-358-1200

FOLLOW US

