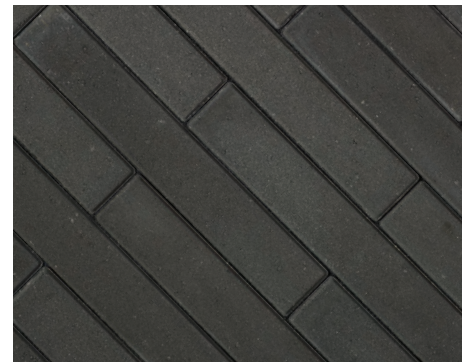




Natural Grey



Pewter



Ebony



PATTERNS

View the laying pattern options for Plank Paver. [Click Here](#)



REQUEST SAMPLES

Need product samples? [Contact us at basalite.com](#) or call 1-253-964-5000.



TECHNICAL DOCUMENTS

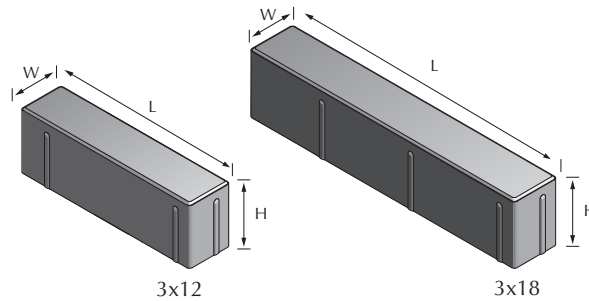
To see case studies, specifications and paver cross sections [Click Here](#)

HAVE QUESTIONS?

Call 1-253-964-5000 or [contact us at basalite.com](http://contact.us.at.basalite.com)

PLANK PAVER

Interlocking Paving Stones



NAME	METRIC SIZE	U.S. SIZE	HEIGHT	APPLICATIONS	ARCHITECTURAL FINISHES					CHAMFER WIDTH	SQ.FT./ PALLET	
					STANDARD	GROUND FACE	SHOT BLAST	SHOT BLAST GROUND FACE	TUMBLER			
3x12	73mm W x 296mm L	2.87" W x 11.64" L	100mm		x	x		x			3mm	67.8
3x18	138mm W x 448mm L	2.87" W x 17.64" L	100mm		x						3mm	50.9

For design consideration add 1.5mm or .06" to the W and L dimensions to allow for the spacers.

*Ideal size/thickness for pavements designed to handle heavy vehicles such as transports, buses and fire trucks.



PEDESTRIAN

Indicates product is suitable for projects with pedestrian use.



LIGHT-DUTY VEHICULAR

Indicates product is suitable for light-duty vehicular projects like driveways and parking stalls.



COMMERCIAL VEHICULAR

Indicates product is suitable for commercial vehicular projects like parking lots and roadways.



3299 International Place
Dupont, WA 98327
253-964-5000

FOLLOW US

